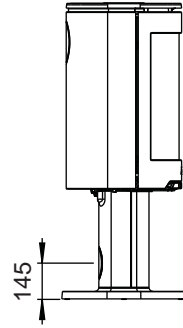
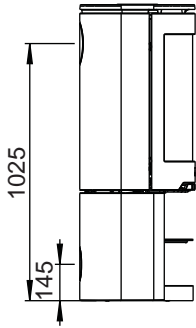
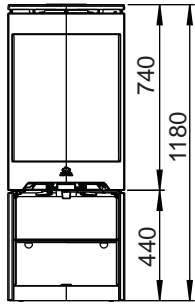


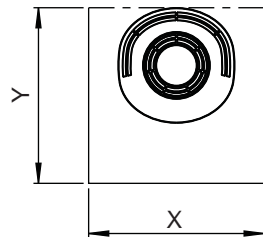
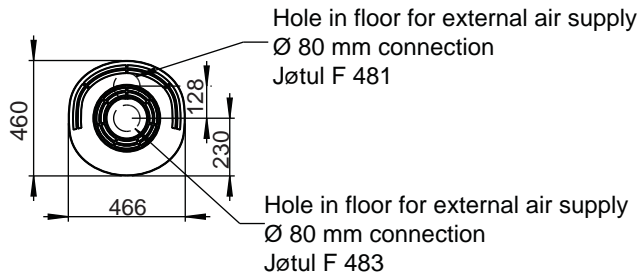
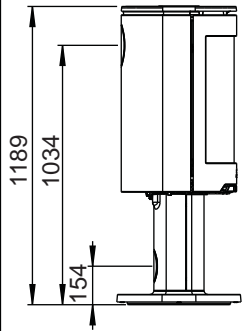
# Jøtul F 480

Jøtul F 481

Jøtul F 483

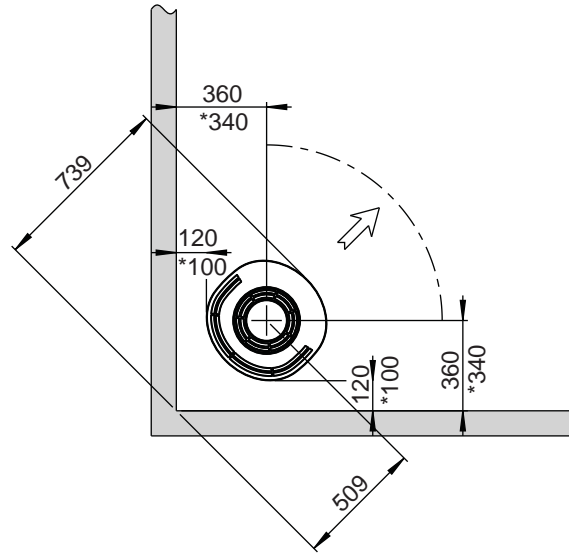


Jøtul F 483 with rotating set

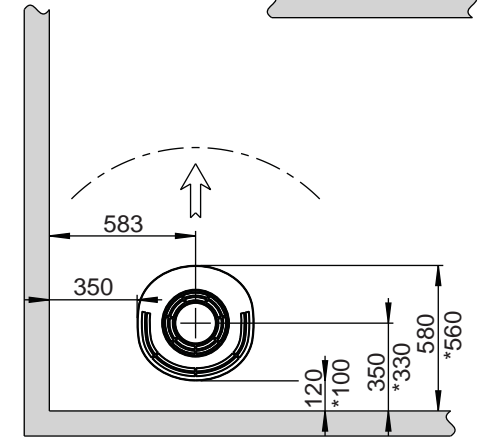


Min. measure floorplate  
X/Y = Acc. to national standards  
and regulations

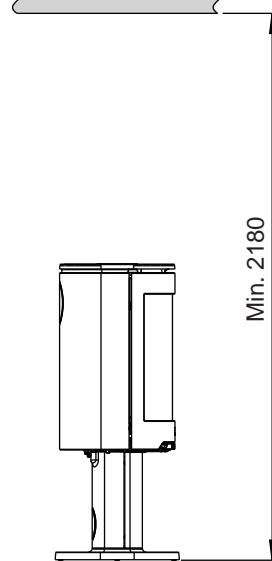
Min. distance to combustible wall



Brennbar vegg

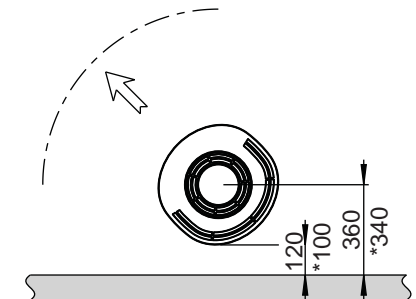
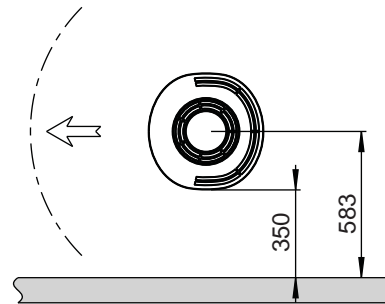


Combustible ceiling



Min. distance to furniture /  
combustible material = 900 mm

Distance to combustible wall with rotating pedestal



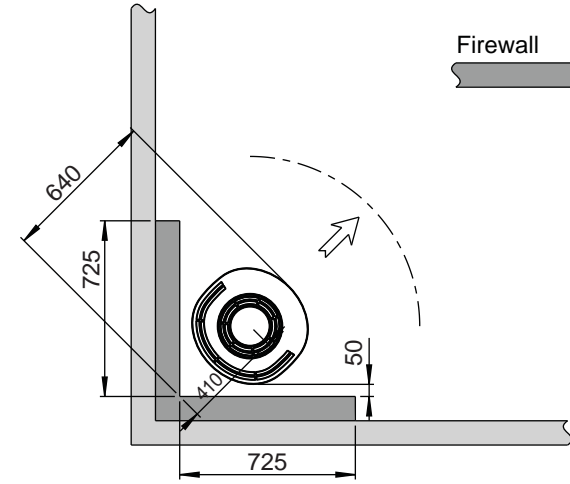
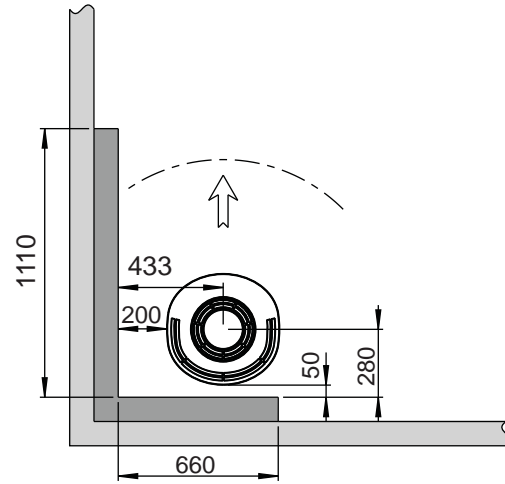
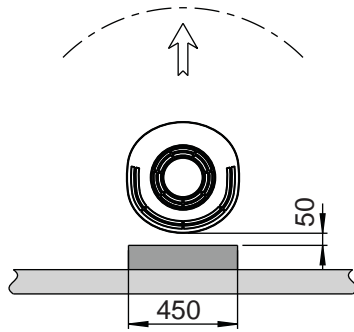
\* Semi-insulated chimney / shielded flue pipe

External

Combustible wall

Firewall

100



Integrated

